

brand **Flymo**

date **27.06.2003** Sheet **1/2**

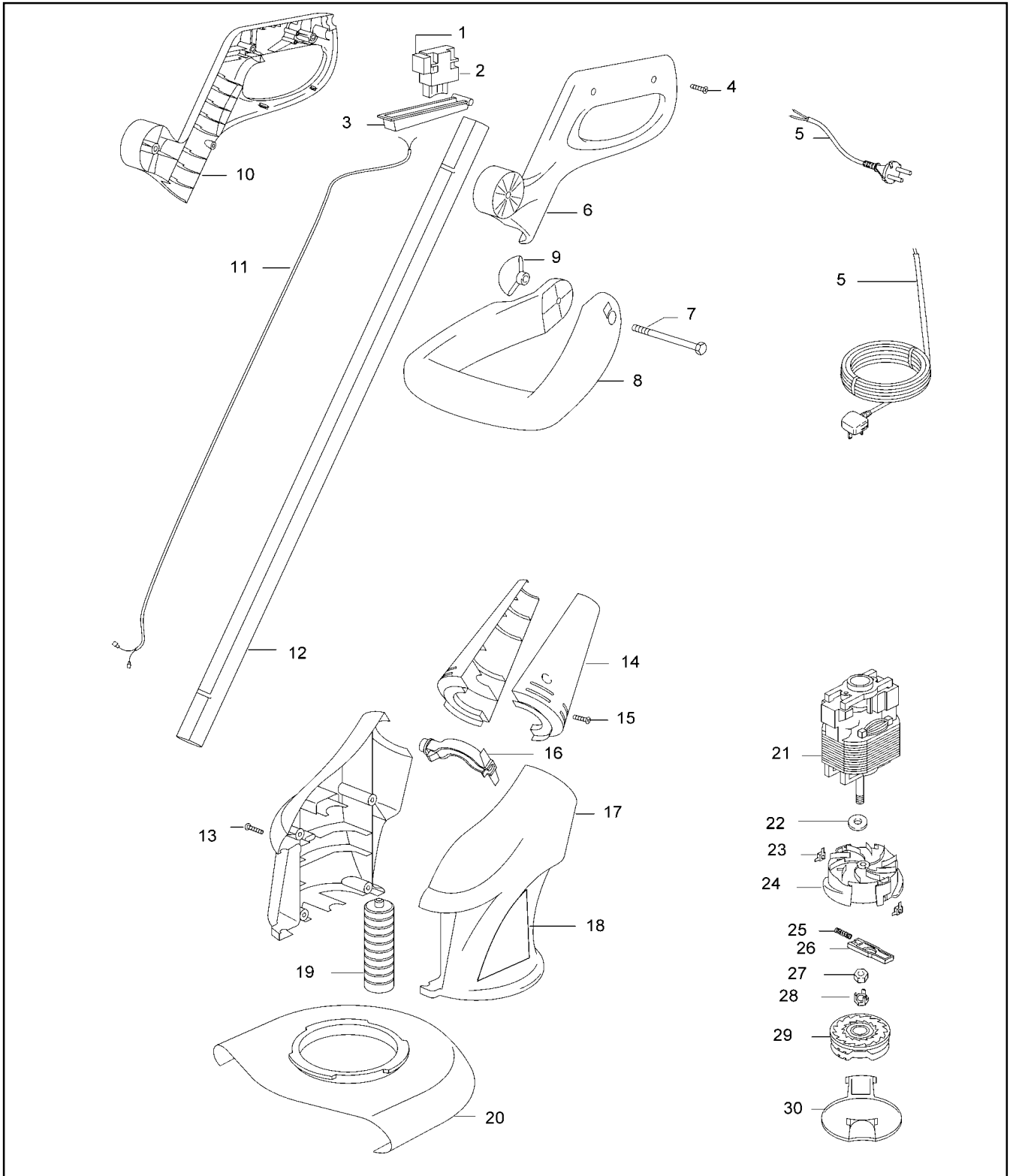
Publication No. **AP0306001**

Model

Multitrim 250D DBL Auto
Multitrim 250D DBL Auto

Product Number

9648570-25 (UK)
9648570-62 (Eu)



brand	Flymo
-------	-------

date	27.06.2003	Sheet 2/2
------	------------	-----------

Multitrim 250D DBL Auto

pos		Part No	Description	Qty	pos	Part No	Description	Qty
1		5148397-01/0	Capacitor	1				
2		5130872-00/4	Switch	1				
3		5137609-01/1	Lever	1				
4		5146672-00/0	Screw	3				
5	UK	5127251-10/5	Cable	1				
5	Eu	5147000-36/7	Lead	1				
6		5149971-00/3	Handles	1				
7		5149973-00/9	Bolt	1				
8		5130541-00/5	Handle, steady	1				
9		5107091-64/6	Wing knob	1				
10		5149971-00/3	Handles	1				
11		5138179-02/2	Lead	1				
12		5126981-68/6	Handle tube	1				
13		5146672-00/0	Screw	4				
14		5148915-01/9	Swivels, pair	1				
15		5146672-00/0	Screw	3				
16		5137842-01/8	Lock button	1				
17		5130542-00/3	Clamshell kit	1				
			includes \$ items					
18	\$RH	5130867-00/4	Label, warning	1				
	\$LH	5119489-00/2	Label, model	1				
19		5138457-68/3	Roller	1				
20		5130862-25/2	Guard	1				
21		5117930-25/4	Motor	1				
22		5140266-00/7	Washer	1				
23		5139557-00/2	Ferrules kit	1				
24		5127855-00/4	Cutting head	1				
25		5149129-00/8	Spring	1				
26		5128025-00/3	Line feeder	1				
27		5148683-00/5	Nut	1				
28		5148631-00/4	Cap	1				
29		5139371-01/6	Spool and line	1				
30		5127851-00/3	Cutting head cover	1				